



# Quadro range

**Lighting equipment for  
small to mid-range venues**

**SPOTLIGHT**

## General features

### Quadro Range



When working to a limited budget...

The Quadro Fresnel, PC and Profile spots are products that include all the features of professional use luminaries such as those used in theatres, live and fashion shows.

In addition to the high optical performances they are both functional and sturdy.



Focus adjustment by an endless screw mechanism



Lens mounted onto extended retaining holders to allow ventilation



Filter holder locking system



Ventilation slots, including slots on the rear housing for efficient cooling in vertical position



Yoke equipped with clutch system for accurate and safe positioning and locking

## Technical features

### Long-Lasting Performance:

Steel constructed body with finned and ribbed structure with anti-scratch Black Epoxy resin paint

### Durability:

Solid structure, high capacity electrical components with high-temperature insulation and heat resistant glass lenses

### Cooling:

By convection through numerous slot, including slots on the back of the luminaire to enhance ventilation when the unit is positioned at a steep angle with no loss of spill light

### Safety:

All luminaires are CE labelled in accordance with the EN 60598-2-17 standards for professional lighting fixtures for public venues and theatres



# Plano-Convex (PC) and Fresnel

300/500/650W Halogen

## Mod. QS 05 PC - QS 05 Fresnel



QS 05 PC

A plano-convex luminaire with a defined beam, variable from 6° to 53°  
Barndoors optional

Lux	21932	5483	2437	1371	877
∅ (m)	0.21	0.42	0.63	0.84	1.05

SPOT 6°

Dist. (m)	2	4	6	8	10
-----------	---	---	---	---	----

Lux	1503	376	167	94	60
∅ (m)	1.99	3.99	5.98	7.97	9.97

FLOOD 53°

Dist. (m)	2	4	6	8	10
-----------	---	---	---	---	----

TESTED WITH LAMP CP89 650W 230V



QS 05 F

Fresnel luminaire with a soft-edged beam, variable from 8° to 46°  
Barndoors optional

Lux	10796	2699	1200	675	432
∅ (m)	0.28	0.56	0.84	1.12	1.40

SPOT 8°

Dist. (m)	2	4	6	8	10
-----------	---	---	---	---	----

Lux	2036	509	226	127	81
∅ (m)	1.70	3.39	5.09	6.79	8.48

FLOOD 46°

Dist. (m)	2	4	6	8	10
-----------	---	---	---	---	----

TESTED WITH LAMP CP89 650W 230V

## Technical features

### Electrical

- Standard 230V, 50/60Hz power supply (others available on request)
- Lamp-holder type GY 9.5
- 2m power supply cable (plug available on request)
- Strain relief cable clamp entry into light housing

### Safety

- Safety mesh
- Filter-frame locking system
- Compliance to CE EN 60598-2-17 standards

### Optical

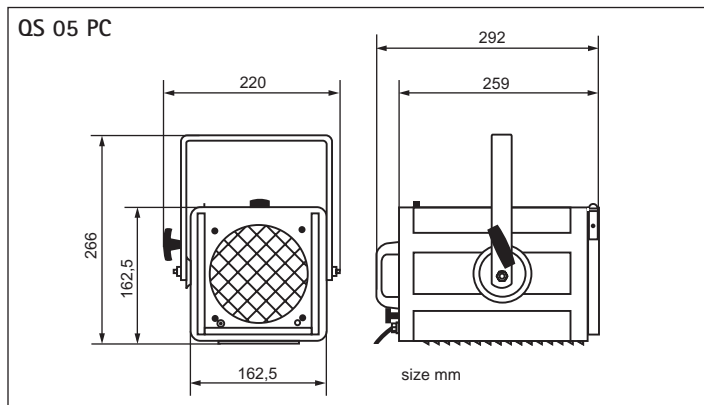
- Spherical reflector in 99.99% polished and treated aluminium: 70mm diameter
- 110mm diameter anti-halo borosilicate lens mounted onto extended holders to allow ventilation

### Mechanical

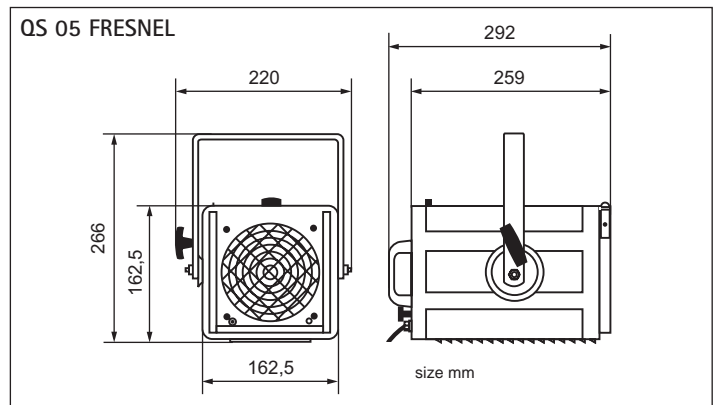
- Steel housing with finned and ribbed structure
- Black Epoxy resin paint
- Labyrinth ventilation to guarantee no light spillage

### Operational

- Access for lamp maintenance via top removable cover
- Reversible yoke with 10mm diameter hole
- Heat insulated knobs and handles
- Focus adjustment by an endless screw mechanism operated by rear knob



Net weight Kg 3.5 – Gross weight Kg 3.9 – Box volume m<sup>3</sup> 0.017



Net weight Kg 3.4 – Gross weight Kg 3.8 – Box volume m<sup>3</sup> 0.017

### Information for ordering accessories and different versions

### Code

• Quadro 05 PC with safety net	QS 05 PC
• QS 05 Fresnel with safety net	QS 05 F
<b>Accessories</b>	
• Colour filter frame	TC S05
• 4-door rotatable barndoors	PL 4 Q05
• Safety bond	FUNE
• Theatre C-hook in black painted steel for 30 to 50mm diameter tubes	GAC
• TV C-hook in die-cast aluminium (PIVOT DIN adaptor required)	A8
• 29mm / M10 spigot adapter	PIVOT DIN
• Aluminium clamp for 50mm diameter tubes	HC / 500
• Superclamp	CLAMP
• Colour changing scroller, DMX 512 or 0/10V controlled	on request
<b>Options</b>	
• Clear lens for QS 05 PC	on request
• 100-120V lamp version	on request

### Lamps

### Long life (2950 °K)

### Theatre (3050 °K)

### Film/TV (3200 °K)

Type / Order code	M 38	M 40	T 18	T26	CP 81	CP 82	CP 89
Power (W)	300	500	500	650	300	500	650
Lampholder	GY 9.5	GY 9.5	GY 9.5	GY 9.5	GY 9.5	GY 9.5	GY 9.5
Light-centre/base distance (mm)	46.5	46.5	46.5	46.5	46.5	46.5	46.5
Luminous flux (Lumen)	5200	10000	11000	14500	7800	13500	17500
Life time (hours)	2000	2000	360	600	180	180	180
Colour temperature (°K)	2950	2950	3050	3050	3200	3200	3200
Supply voltage (V)	230	230	230	230	230	230	230
Nominal current (A)	1.3	2.17	2.17	2.8	1.3	2.17	2.8

# Plano-Convex (PC) and Fresnel

650/1000W Halogen

## Mod. QS 10 PC - QS 10 Fresnel



QS 10 PC

A plano-convex luminaire with a defined beam, variable from 5° to 52°  
Barndoors optional

Lux	8618	2155	958	539	345
∅ (m)	0.35	0.70	1.05	1.40	1.75

SPOT 5°

Dist. (m)	4	8	12	16	20
-----------	---	---	----	----	----

Lux	555	139	62	35	22
∅ (m)	3.90	7.80	11.70	15.60	19.50

FLOOD 52°

Dist. (m)	4	8	12	16	20
-----------	---	---	----	----	----

TESTED WITH LAMP CP70 1000W 230V



QS 10 F

Fresnel luminaire with a soft-edged beam, variable from 7° to 45°  
Barndoors optional

Lux	9572	2393	1064	598	383
∅ (m)	0.49	0.98	1.47	1.96	2.45

SPOT 7°

Dist. (m)	4	8	12	16	20
-----------	---	---	----	----	----

Lux	1087	272	121	68	43
∅ (m)	3.31	6.62	9.94	13.25	16.56

FLOOD 45°

Dist. (m)	4	8	12	16	20
-----------	---	---	----	----	----

TESTED WITH LAMP CP70 1000W 230V

**Technical features**

**Electrical**

- Standard 230V, 50/60Hz power supply (others available on request)
- Lamp-holder type GX 9.5
- 2m power supply cable (plug available on request)
- Strain relief cable clamp entry into light housing

**Safety**

- Safety mesh
- Filter-frame locking system
- Compliance to CE EN 60598-2-17 standards

**Optical**

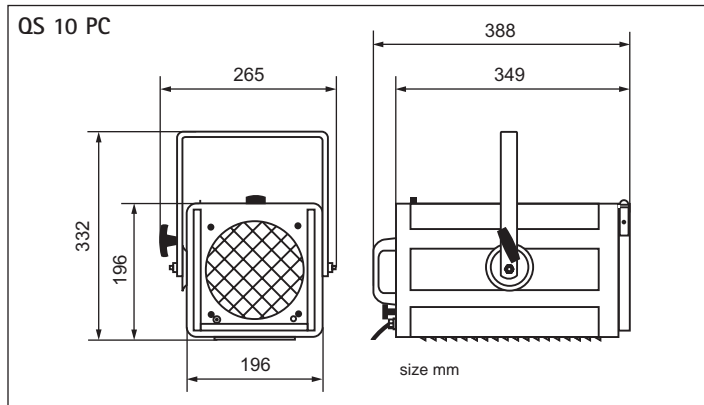
- Spherical reflector in 99.99% polished and treated aluminium: 100mm diameter
- 150mm diameter anti-halo borosilicate lens mounted onto extended holders to allow ventilation

**Mechanical**

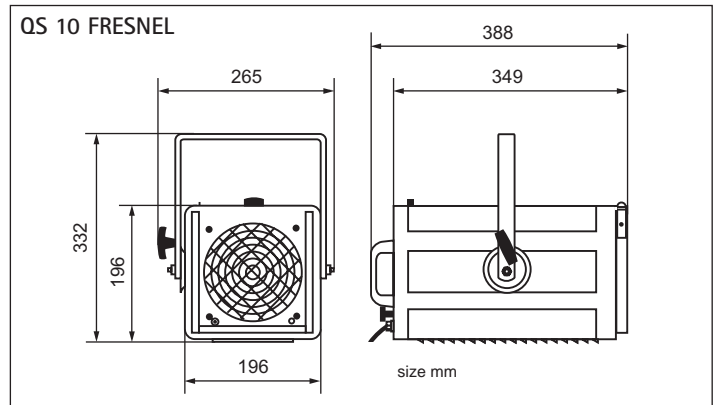
- Steel housing with finned and ribbed structure
- Black Epoxy resin paint
- Labyrinth ventilation to guarantee no light spillage

**Operational**

- Access for lamp maintenance via top removable cover
- Reversible yoke with 10mm diameter hole
- Heat insulated knobs and handles
- Focus adjustment by an endless screw mechanism operated by rear knob



Net weight Kg 5.5 – Gross weight Kg 6.6 – Box volume m<sup>3</sup> 0.041



Net weight Kg 5.3 – Gross weight Kg 6.5 – Box volume m<sup>3</sup> 0.041

**Information for ordering accessories and different versions**

**Code**

• Quadro 10 PC with safety net	QS 10 PC
• Quadro 10 Fresnel with safety net	QS 10 F
<b>Accessories</b>	
• Colour filter frame	TC S12
• 4-door rotatable barndoors	PL 4 Q10
• Safety bond	FUNE
• Theatre C-hook in black painted steel for 30 to 50mm diameter tubes	GAC
• TV C-hook in die-cast aluminium (PIVOT DIN adaptor required)	A8
• 29mm/ M10 spigot adapter	PIVOT DIN
• Aluminium clamp for 50mm diameter. tubes	HC / 500
• Superclamp	CLAMP
• Colour changing scroller, DMX 512 or 0/10V controlled	on request
<b>Options</b>	
• Clear lens for QS 10 PC	on request
• 100-120V lamp version	on request

**Lamps**

**Theatre (3050 °K)**

**Film/TV (3200 °K)**

Type / Order code	T21	T19	CP 67	CP70
Power (W)	650	1000	650	1000
Lampholder	GX9.5	GX9.5	GX9.5	GX9.5
Light-centre/base distance (mm)	55	55	55	55
Luminous flux (Lumen)	13000	21500	16500	25000
Life time (hours)	900	750	400	200
Colour temperature (°K)	3050	3050	3200	3200
Supply voltage (V)	230	230	230	230
Nominal current (Amp.)	2.8	4.3	2.8	4.3

# Plano-Convex (PC) and Fresnel

2000W Halogen

## Mod. QS 20 PC - QS 20 Fresnel



QS 20 PC

A plano-convex luminaire with a defined beam, variable from 4° to 57°  
Barndoors optional

Lux	19935	4984	2215	1246	797
∅ (m)	0.35	0.70	1.05	1.40	1.75

SPOT 4°

Dist. (m)	5	10	15	20	25
-----------	---	----	----	----	----

Lux	836	209	93	52	33
∅ (m)	5.43	10.85	16.28	21.71	27.13

FLOOD 57°

Dist. (m)	5	10	15	20	25
-----------	---	----	----	----	----

TESTED WITH LAMP CP79 2000W 230V



QS 20 F

Fresnel luminaire with a soft-edged beam, variable from 6° to 45°  
Barndoors optional

Lux	16318	4080	1813	1020	653
∅ (m)	0.52	1.05	1.57	2.10	2.62

SPOT 6°

Dist. (m)	5	10	15	20	25
-----------	---	----	----	----	----

Lux	1520	380	169	95	61
∅ (m)	4.14	8.28	12.42	16.56	20.70

FLOOD 45°

Dist. (m)	5	10	15	20	25
-----------	---	----	----	----	----

TESTED WITH LAMP CP79 2000W 230V



## Technical features

### Electrical

- Standard 230V, 50/60Hz power supply (others available on request)
- Lamp-holder type GY 16
- 2m power supply cable (plug available on request)
- Strain relief cable clamp entry into light housing

### Safety

- Safety mesh
- Filter-frame locking system
- Compliance to CE EN 60598-2-17 standards

### Optical

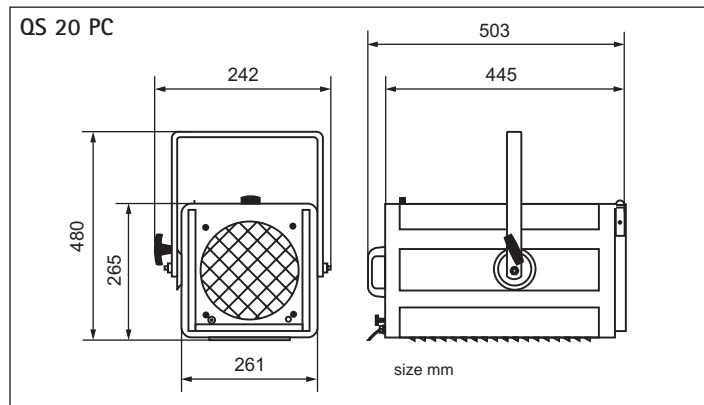
- Spherical reflector in 99.99% polished and treated aluminium: 150mm diameter
- 200mm diameter anti-halo borosilicate lens mounted onto extended holders to allow ventilation

### Mechanical

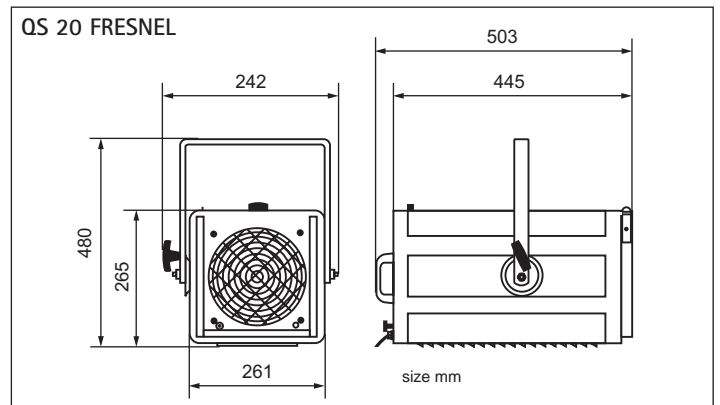
- Steel housing with finned and ribbed structure
- Black Epoxy resin paint
- Labyrinth ventilation to guarantee no light spillage

### Operational

- Access for lamp maintenance via top removable cover
- Reversible yoke with 10mm diameter hole
- Heat insulated knobs and handles
- Focus adjustment by an endless screw mechanism operated by rear knob



Net weight Kg 11.7 – Gross weight Kg 13.6 – Box volume m<sup>3</sup> 0.087



Net weight Kg 10.5 – Gross weight Kg 12.5 – Box volume m<sup>3</sup> 0.087

### Information for ordering accessories and different versions

### Code

• Quadro 20 PC with safety net	QS 20 PC
• Quadro 20 Fresnel with safety net	QS 20 F
<b>Accessories</b>	
• Colour filter frame	TC S25
• 4-door rotatable barndoors	PL 4 Q20
• Safety bond	FUNE
• Theatre C-hook in black painted steel for 30 to 50mm diameter tubes	GAC
• TV C-hook in die cast aluminium (PIVOT DIN adaptor required)	A8
• 29mm / M10 spigot adapter	PIVOT DIN
• Aluminium clamp for 50mm diameter tubes	HC / 500
• Superclamp	CLAMP
• Colour changing scroller, DMX 512 or 0/10V controlled	on request
<b>Options</b>	
• Clear lens for Quadro 20 PC	on request
• 100-120V lamp version	on request

### Lamps

### Film/TV/Theatre (3200 °K)

Type / Order code	CP72	CP79
Power (W)	2000	2000
Lampholder	GY16	GY16
Light-centre/base distance (mm)	70	70
Luminous flux (Lumen)	50000	54000
Life time (hours)	480	350
Colour temperature (°K)	3200	3200
Supply voltage (V)	230	230
Nominal current (Amp.)	8.6	8.6

## Zoom profile spots

**Mod. SS 500 / 300/500/650W Halogen**

**Mod. SS 1000 / 650/1000W Halogen**



SS 500

10° to 21° zoom variable profile spot with shaping shutters and slots for Iris/Gobo holder

Lux	17894	4473	1988	1118	716
∅ (m)	0.35	0.70	1.05	1.40	1.75

**NARROW BEAM**

10°

Dist. (m)	2	4	6	8	10
-----------	---	---	---	---	----

Lux	9444	2361	1049	590	378
∅ (m)	0.74	1.48	2.22	2.96	3.70

**WIDE BEAM**

21°

Dist. (m)	2	4	6	8	10
-----------	---	---	---	---	----

TESTED WITH LAMP CP89 650W 230V



SS 1000

12° to 26° zoom variable profile spot with shaping shutters and slots for Iris/Gobo holder

Lux	11589	2897	1288	724	464
∅ (m)	0.84	1.68	2.52	3.36	4.20

**NARROW BEAM**

12°

Dist. (m)	4	8	12	16	20
-----------	---	---	----	----	----

Lux	3598	900	400	225	144
∅ (m)	1.85	3.69	5.54	7.38	9.23

**WIDE BEAM**

26°

Dist. (m)	4	8	12	16	20
-----------	---	---	----	----	----

TESTED WITH LAMP CP70 1000W 230V

## Technical features

### Electrical

- Standard 230V, 50/60Hz power supply (others available on request)
- Lamp-holder type GY 9.5 (SS 500) and GX 9.5 (SS 1000)
- 2m power supply cable (plug available on request)
- Strain relief cable clamp entry

### Safety

- Safety mesh (optional)
- Filter-frame locking system
- Compliance to CE EN 60598-2-17 standards

### Optical

- Independent lens zoom system 10°-21° (SS 500) and 12°-26° (SS 1000)
- 18-leaf iris diaphragm (optional)
- 4 removable shaping shutters
- Ellipsoidal reflector in 99.99% polished and treated aluminium: 120mm diameter (SS 500) and 150mm diameter (SS 1000)

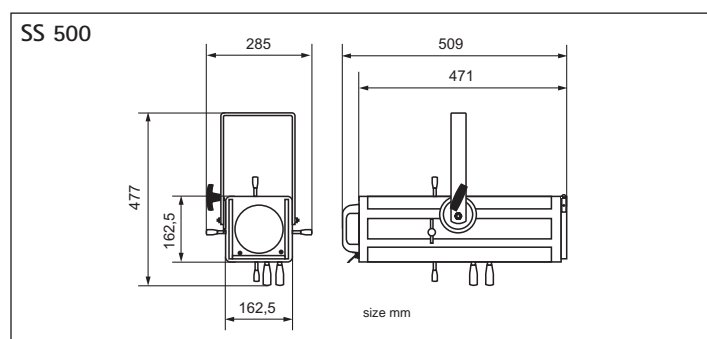
- Optical tempered glass internal lens 90mm diameter (SS 500) and 110mm diameter (SS 1000)
- Optical tempered glass external lens 110mm diameter (SS 500) and 150mm diameter (SS 1000)

### Mechanical

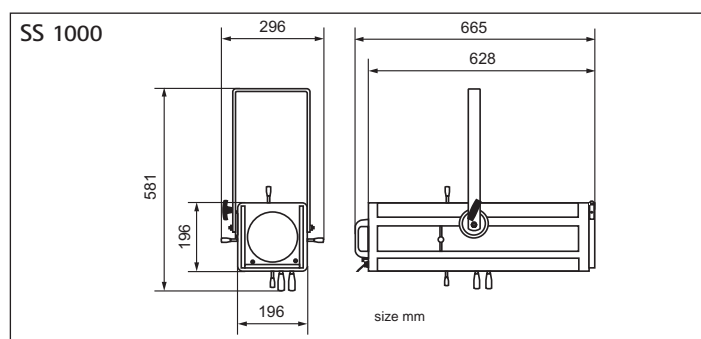
- Steel housing with finned and ribbed structure
- Black anti-scratch Epoxy Resin paint
- Labyrinth ventilation to guarantee no light spillage

### Operational

- Gobo holder slot M and B size (SS 500) and B size (SS 1000)
- Access for lamp and lenses maintenance via two top removable covers
- Reversible yoke with 10mm diameter hole
- Heat insulated knobs and handles
- Peak/Even beam setting



Net weight Kg 6 – Gross weight Kg 6.9 – Box volume m<sup>3</sup> 0.038



Net weight Kg 9.4 – Gross weight Kg 10.1 – Box volume m<sup>3</sup> 0.080

### Information for ordering accessories and different versions

	Code	Code
• SS 500	SS 500	
• SS 1000		SS 1000
<b>Accessories</b>		
• Colour filter frame	TC S05	TC S12
• Safety mesh	R S05	R S12
• Safety bond	FUNE	FUNE
• Gobo-holder for M size gobos	PGM 100	---
• Gobo-holder for B size gobos	PGB 100	PGB 130
• Iris diaphragm	DIA 05	DIA 10
• Iris diaphragm with black-out	DIA 05 BO	DIA 10 BO
• Theatre C-hook in black painted steel for 30 to 50mm diameter tubes	GAC	GAC
• TV C-hook in die-cast aluminium (PIVOT DIN adaptor required)	A8	A8
• 29mm / M10 spigot adapter	PIVOT DIN	PIVOT DIN
• Aluminium clamp for 50mm diameter tubes	HC / 500	HC / 500
• Superclamp	CLAMP	CLAMP
• Colour changing scroller, DMX 512 or 0/10V controlled	on request	on request
<b>Options</b>		
• 100-120V lamp version	on request	on request

Lamps	SS 500						SS 1000				
	Long life (2950 °K)		Theatre (3050 °K)		Film/TV (3200 °K)		Theatre (3050 °K)		Film/TV (3200 °K)		
Type / Order code	M 38	M 40	T 18	T 26	CP 81	CP 82	CP 89	T 21	T 19	CP 67	CP 70
Power (W)	300	500	500	650	300	500	650	650	1000	650	1000
Lampholder	GY9.5	GY9.5	GY9.5	GY9.5	GY9.5	GY9.5	GY9.5	GX9.5	GX9.5	GX9.5	GX9.5
Light-centre/base distance (mm)	46.5	46.5	46.5	46.5	46.5	46.5	46.5	55	55	55	55
Luminous flux (Lumen)	5200	10000	11000	14500	7800	13500	17500	13000	21500	16500	25000
Life time (hours)	2000	2000	360	600	180	180	180	900	750	400	200
Colour temperature (°K)	2950	2950	3050	3050	3200	3200	3200	3050	3050	3200	3200
Supply voltage (V)	230	230	230	230	230	230	230	230	230	230	230
Nominal current (Amp.)	1.3	2.17	2.17	2.8	1.3	2.17	2.8	2.8	4.3	2.8	4.3

Spotlight reserve the right to change specification without prior notice

**SPOTLIGHT**

**SPOTLIGHT SRL**

**VIA SARDEGNA, 3**

**20098 S. GIULIANO MILANESE (MI)**

**PHONE +39.02.98.83.055**

**FAX +39.02.98.83.056**

**E-MAIL: SALES@SPOTLIGHT.IT**

**WEB: WWW.SPOTLIGHT.IT**

*Your Dealer*