



Combi range

Professional lighting equipment
for general purpose stages


SPOTLIGHT
professional lighting for the performing arts

General features

Combi range



Ventilation slots on the rear housing for efficient cooling even in vertical position

The **Combi** range takes its name from the results of research into the best combination of professional quality and competitive price.

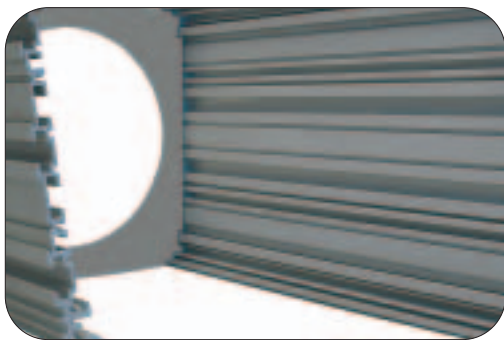
These Fresnel and PC spots, made of steel and aluminium, give optimal lighting performance and are practical to use, combining durability and easy maintenance.



Light Centre Length adjustment for different types of lamps with no need for special tools



Reversible yoke mounted onto extruded sliding rails, adjustable height for correct balancing of the accessories and for use in any position



Extruded aluminium and steel housing for thermal dissipation and high shock resistance



Filter holder locking system



Lens mounted onto extended retaining holders to allow inner ventilation

Technical features

Products designed for professional use that guarantee:

Durability:

Die-cast extruded aluminium housing, shockproof with anti-scratch paint

Long-Lasting Performance:

Rugged construction, high capacity electrical components with high-temperature insulation and heat resistant glass lenses

Cooling:

By dissipation through an extended finned extruded aluminium surface and by convection through numerous slots even on the back of the luminaire to enhance ventilation when the unit is positioned at a steep angle

Safety:

All luminaires are CE labelled in accordance with the EN 60598-2-17 standards for professional lighting fixtures for public venues and theatres



Plano Convex (PC) and Fresnel

300/500/650W Halogen

Combi 05 PC - Combi 05 Fresnel



COMBI 05 PC

A plano-convex luminaire with a defined beam, variable from 5° to 56°
Barndoors optional

Lux	27808	6952	3090	1738	1112
∅ (m)	0.17	0.35	0.52	0.70	0.87

SPOT

5°

Dist. (m)	2	4	6	8	10
-----------	---	---	---	---	----

Lux	1502	376	167	94	60
∅ (m)	2.13	4.25	6.38	8.51	10.63

FLOOD

56°

Dist. (m)	2	4	6	8	10
-----------	---	---	---	---	----

TESTED WITH LAMP CP89 650W 230V



COMBI 05 F

A Fresnel luminaire with a soft-edged beam, variable from 7° to 62°
Barndoors optional

Lux	19280	4820	2142	1205	771
∅ (m)	0.24	0.49	0.73	0.98	1.22

SPOT

7°

Dist. (m)	2	4	6	8	10
-----------	---	---	---	---	----

Lux	1853	463	206	116	74
∅ (m)	2.40	4.81	7.21	9.61	12.02

FLOOD

62°

Dist. (m)	2	4	6	8	10
-----------	---	---	---	---	----

TESTED WITH LAMP CP89 650W 230V

Technical features

Electrical

- Standard 230V, 50/60Hz power supply (others available on request)
- Lamp-holder type GY 9.5
- 2m power supply cable (plug available on request)
- Strain relief cable clamp entry into light housing

Safety

- Safety mesh
- Filter-frame locking system
- Compliance to CE EN 60598-2-17 standards

Optical

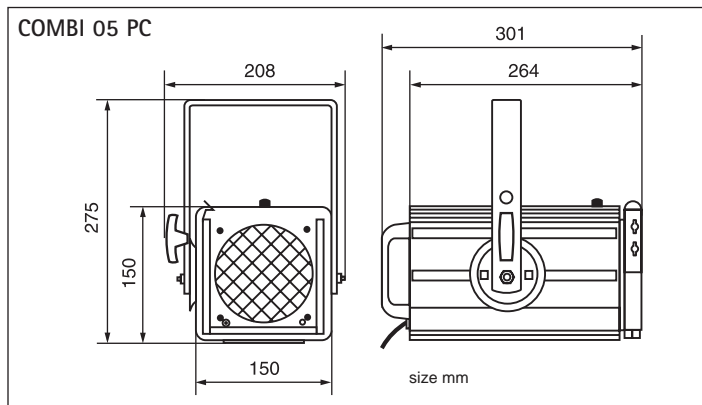
- Spherical reflector in 99.99% polished and treated aluminium: 70mm diameter
- 110mm diameter borosilicate lens mounted onto extended holders to allow ventilation

Mechanical

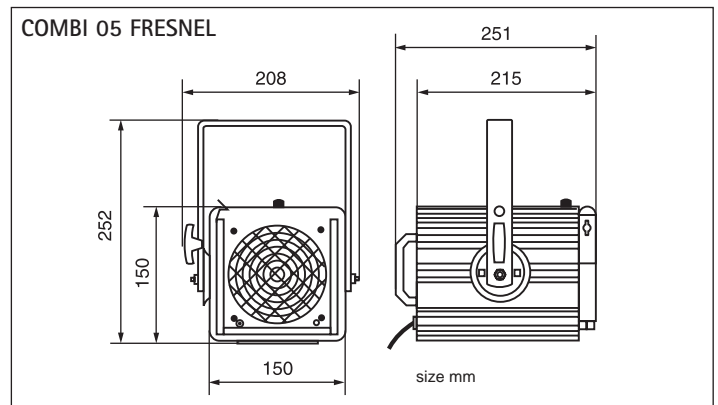
- Extruded aluminium and steel housing
- Black Epoxy Resin paint
- Labyrinth ventilation to avoid light spillage

Operational

- Access for lamp maintenance via removable top cover
- Yoke with 10mm diameter hole, adjustable height, reversible and sliding into extruded rails to balance accessories and for use in any position
- Heat insulated knobs and handles
- Focus adjustment by an endless screw mechanism operated by rear knob



Net weight Kg 3.7 – Gross weight Kg 4.0 – Box volume m³ 0.017



Net weight Kg 3.0 – Gross weight Kg 3.4 – Box volume m³ 0.017

Information for ordering accessories and different versions

Code

• Combi 05 PC with safety net	COM 05 PC
• Combi 05 Fresnel with safety net	COM 05 F
Accessories	
• Colour filter frame	TC S05
• 4-door rotatable barndoors	PL 4 S05
• Safety bond	FUNE
• Theatre C-hook in black painted steel for 30 to 50mm diameter tubes	GAC
• TV C-hook in die-cast aluminium (PIVOT DIN adaptor required)	A8
• 29mm / M10 spigot adapter	PIVOT DIN
• Aluminium clamp for 50mm diameter tubes	HC / 500
• Superclamp	CLAMP
• Colour changing scroller, DMX 512 or 0/10V controlled	on request
Options	
• Clear lens for Combi 05 PC	on request
• 100-120V lamp version	on request

Lamps

Long life (2950 °K)

Theatre (3050 °K)

Film/TV (3200 °K)

Type / Order code	M 38	M 40	T 18	T26	CP 81	CP 82	CP 89
Power (W)	300	500	500	650	300	500	650
Lampholder	GY 9.5	GY 9.5	GY 9.5	GY 9.5	GY 9.5	GY 9.5	GY 9.5
Light-centre/base lamp distance (mm)	46.5	46.5	46.5	46.5	46.5	46.5	46.5
Luminous flux (Lumen)	5200	10000	11000	14500	7800	13500	17500
Life time (hours)	2000	2000	360	600	180	180	180
Colour temperature (°K)	2950	2950	3050	3050	3200	3200	3200
Supply voltage (V)	230	230	230	230	230	230	230
Nominal current (Amp.)	1.3	2.17	2.17	2.8	1.3	2.17	2.8

Plano Convex (PC) and Fresnel

1000/1200W Halogen

Combi 12 PC - Combi 12 Fresnel



COMBI 12 PC

A plano-convex luminaire with a defined beam, variable from 4° to 63°
Barndoors optional

Lux	17725	4431	1969	1108	709
Ø (m)	0.28	0.56	0.84	1.12	1.40

SPOT 4°

Dist. (m)	4	8	12	16	20
-----------	---	---	----	----	----

Lux	655	164	73	41	26
Ø (m)	4.90	9.80	14.71	19.61	24.51

FLOOD 63°

Dist. (m)	4	8	12	16	20
-----------	---	---	----	----	----

TESTED WITH LAMP CP90 1200W 230V



COMBI 12 F

A Fresnel luminaire with a soft-edged beam, variable from 7° to 53°
Barndoors optional

Lux	10269	2567	1141	642	411
Ø (m)	0.49	0.98	1.47	1.96	2.45

SPOT 7°

Dist. (m)	4	8	12	16	20
-----------	---	---	----	----	----

Lux	885	221	98	55	35
Ø (m)	4.0	8.1	12.1	16.1	20.2

FLOOD 53°

Dist. (m)	4	8	12	16	20
-----------	---	---	----	----	----

TESTED WITH LAMP CP90 1200W 230V

Technical features

Combi 12 PC Combi 12 Fresnel

Electrical

- Standard 230V, 50/60Hz power supply (others available on request)
- Lamp-holder type GX 9.5
- 2m power supply cable (plug available on request)
- Strain relief cable clamp entry into light housing

Safety

- Safety mesh
- Filter-frame locking system
- Compliance to CE EN 60598-2-17 standards

Optical

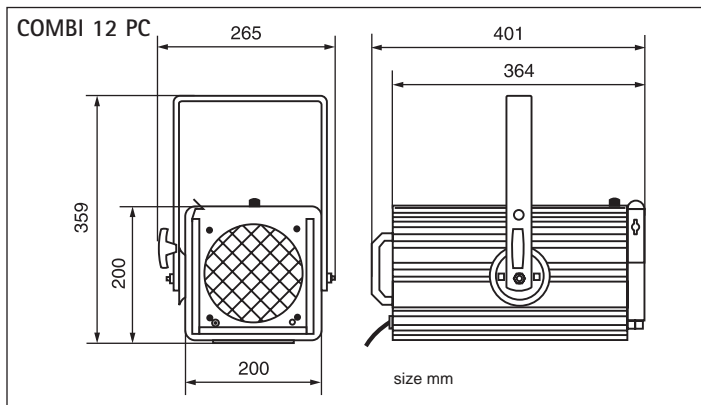
- Spherical reflector in 99.99% polished and treated aluminium: 100mm diameter
- 150mm diameter borosilicate lens mounted onto extended holders to allow ventilation

Mechanical

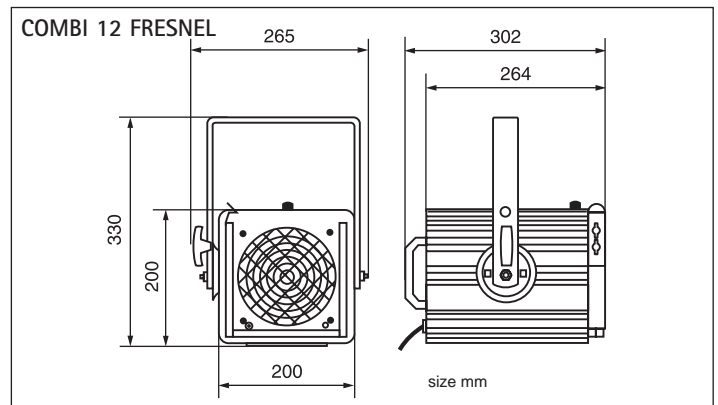
- Extruded aluminium and steel housing
- Black Epoxy Resin paint
- Labyrinth ventilation to avoid light spillage

Operational

- Access for lamp maintenance via removable top cover
- Yoke with 10mm diameter hole, adjustable height, reversible and sliding into extruded rails to balance accessories and for use in any position
- Heat insulated knobs and handles
- Focus adjustment by an endless screw mechanism operated by rear knob



Net weight Kg 6.8 – Gross weight Kg 8.1 – Box volume m³ 0.040



Net weight Kg 5.4 – Gross weight Kg 6.6 – Box volume m³ 0.034

Information for ordering accessories and different versions

Code

• Combi 12 PC with safety net	COM 12 PC
• Combi 12 Fresnel with safety net	COM 12 F
Accessories	
• Colour filter frame	TC S12
• 4-door rotatable barndoors	PL 4 S12
• Safety bond	FUNE
• Theatre C-hook in black painted steel for 30 to 50mm diameter tubes	GAC
• TV C-hook in die-cast aluminium (PIVOT DIN adaptor required)	A8
• 29mm / M10 spigot adapter	PIVOT DIN
• Aluminium clamp for 50mm diameter tubes	HC / 500
• Superclamp	CLAMP
• Colour changing scroller, DMX 512 or 0/10V controlled	on request
Options	
• Clear lens for Combi 12 PC	on request
• 100-120V lamp version	on request

Lamps

Theatre (3050 °K)

Film/TV (3200 °K)

Type / Order code	T21	T19	T29	CP67	CP70	CP90
Power (W)	650	1000	1200	650	1000	1200
Lamp holder	GX9.5	GX9.5	GX9.5	GX9.5	GX9.5	GX9.5
Light-centre/base lamp distance (mm)	55	55	67	55	55	67
Luminous flux (Lumen)	13000	21500	27600	16500	25000	30000
Life time (hours)	900	750	480	400	200	240
Colour temperature (°K)	3050	3050	3050	3200	3200	3200
Supply voltage (V)	230	230	230	230	230	230
Nominal current (Amp.)	2.8	4.3	5.2	2.8	4.3	5.2

Plano Convex (PC) and Fresnel

2000/2500W Halogen

Combi 25 PC - Combi 25 Fresnel



COMBI 25 PC

A plano-convex luminaire with a defined beam, variable from 4° to 66°
Barndoors optional

Lux	23903	5976	2656	1494	956
Ø (m)	0.35	0.70	1.05	1.40	1.75

SPOT 4°

Dist. (m)	5	10	15	20	25
-----------	---	----	----	----	----

Lux	880	220	98	55	35
Ø (m)	6.49	12.99	19.48	25.98	32.47

FLOOD 66°

Dist. (m)	5	10	15	20	25
-----------	---	----	----	----	----

TESTED WITH LAMP CP91 2500W 230V



COMBI 25 F

A Fresnel luminaire with a soft-edged beam, variable from 7° to 65°
Barndoors optional

Lux	13124	3281	1458	820	525
Ø (m)	0.61	1.22	1.83	2.45	3.06

SPOT 7°

Dist. (m)	5	10	15	20	25
-----------	---	----	----	----	----

Lux	1234	309	137	77	49
Ø (m)	6.37	12.74	19.11	25.48	31.85

FLOOD 65°

Dist. (m)	5	10	15	20	25
-----------	---	----	----	----	----

TESTED WITH LAMP CP91 2500W 230V

Technical features

Electrical

- Standard 230V, 50/60Hz power supply (others available on request)
- Lamp-holder type G 22 (GY 16 optional)
- 2m power supply cable (plug available on request)
- Strain relief cable clamp entry into light housing

Safety

- Safety mesh
- Filter-frame locking system
- Compliance to CE EN 60598-2-17 standards

Optical

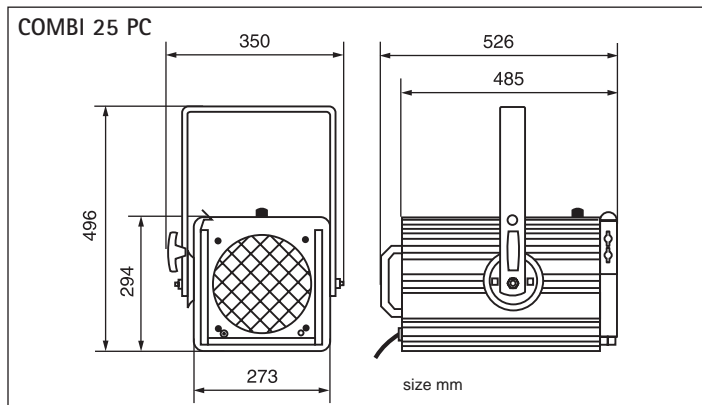
- Spherical reflector in 99.99% polished and treated aluminium: 150mm diameter
- 200mm diameter borosilicate lens mounted onto extended holders to allow ventilation

Mechanical

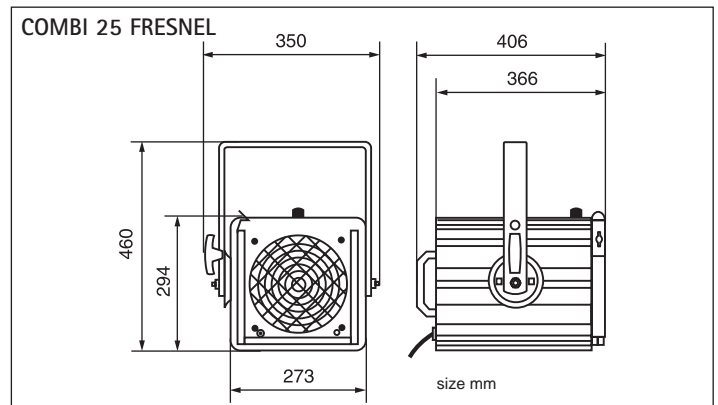
- Extruded aluminium and steel housing
- Black Epoxy Resin paint
- Labyrinth ventilation to avoid light spillage

Operational

- Access for lamp maintenance via removable top cover
- Yoke with 10mm diameter hole, adjustable height, reversible and sliding into extruded rails to balance accessories and for use in any position
- Heat insulated knobs and handles
- Lamp-holder mounted onto an easily adjustable plate for 1000, 2000 and 2500W lamps
- Focus adjustment by an endless screw mechanism operated by rear knob



Net weight Kg 13.7 – Gross weight Kg 15.7 – Box volume m³ 0.086



Net weight Kg 10.8 – Gross weight Kg 12.7 – Box volume m³ 0.071

Information for ordering accessories and different versions

Code

• Combi 25 PC with safety net	COM 25 PC
• Combi 25 Fresnel with safety net	COM 25 F
Accessories	
• Colour filter frame	TC S25
• 4-door rotatable barndoors	PL 4 S25
• Safety bond	FUNE
• Theatre C-hook in black painted steel for 30 to 50mm diameter tubes	GAC
• TV C-hook in die-cast aluminium (PIVOT DIN adaptor required)	A8
• 29mm / M10 spigot adapter	PIVOT DIN
• Aluminium clamp for 50mm diameter tubes	HC / 500
• Superclamp	CLAMP
• Colour changing scroller, DMX 512 or 0/10V controlled	on request
Options	
• Clear lens for Combi 25 PC	on request
• 100-120V lamp version	on request
• GY 16 lampholder version	on request

Lamps

FilmTV/Theatre (3200 °K)

Type / Order code	CP75	CP92	CP91	CP72 on request
Power (W)	2000	2000	2500	2000
Lampholder	G22	G22	G22	GY16
Light-centre/base lamp distance (mm)	75	90	90	70
Luminous flux (Lumen)	52000	52000	65000	50000
Life time (hours)	480	400	450	480
Colour temperature (°K)	3200	3200	3200	3200
Supply voltage (V)	230	230	230	230
Nominal current (Amp.)	8.6	8.6	10.8	8.6

Plano Convex (PC) and Fresnel

5000W Halogen

Combi 50 PC - Combi 50 Fresnel



 COMBI 50 PC

A plano-convex luminaire with a defined beam, variable from 4.6° to 59°
Barndoors optional

Lux	35102	8776	3900	2194	1404
Ø (m)	0.40	0.80	1.20	1.60	2.00

SPOT 4.6°

Dist. (m)	5	10	15	20	25
-----------	---	----	----	----	----

Lux	1679	420	187	105	67
Ø (m)	5.70	11.40	17.10	22.80	28.50

FLOOD 59°

Dist. (m)	5	10	15	20	25
-----------	---	----	----	----	----

TESTED WITH LAMP CP85 5000W 230V



 COMBI 50 F

A Fresnel luminaire with a soft-edged beam, variable from 9.5° to 57°
Barndoors optional

Lux	20218	5054	2246	1264	809
Ø (m)	0.83	1.67	2.50	3.33	4.27

SPOT 9.5°

Dist. (m)	5	10	15	20	25
-----------	---	----	----	----	----

Lux	3018	754	335	189	121
Ø (m)	5.40	10.80	16.20	21.60	27.00

FLOOD 57°

Dist. (m)	5	10	15	20	25
-----------	---	----	----	----	----

TESTED WITH LAMP CP85 5000W 230V

Technical features

Electrical

- Standard 230V, 50/60Hz power supply (others available on request)
- Lamp-holder type G 38
- 2m power supply cable (plug available on request)
- Strain relief cable clamp entry into light housing

Safety

- Safety mesh
- Filter-frame locking system
- Compliance to CE EN 60598-2-17 standards

Optical

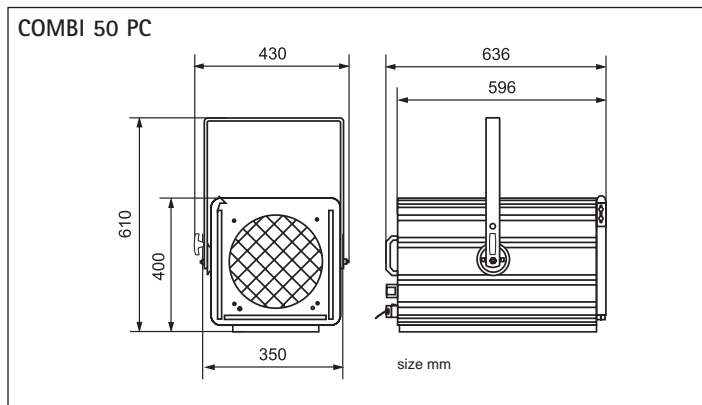
- Spherical reflector in 99.99% polished and treated aluminium: 200mm diameter
- 250mm diameter borosilicate lens mounted onto extended holders to allow ventilation

Mechanical

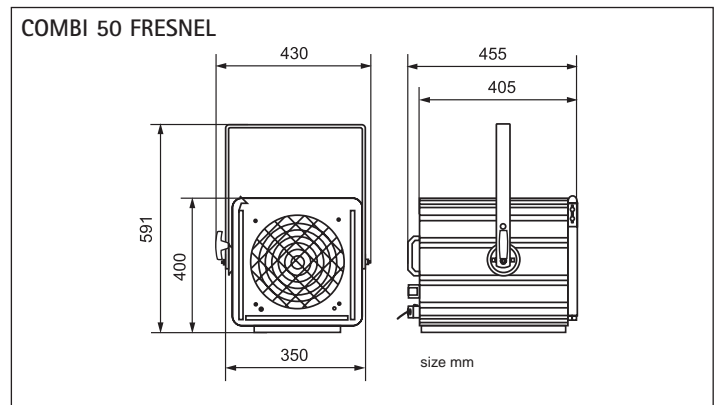
- Extruded aluminium and steel housing
- Black Epoxy Resin paint
- Labyrinth ventilation to avoid light spillage

Operational

- Access for lamp maintenance via removable top cover
- Yoke with 10mm diameter hole, adjustable height, reversible
- Heat insulated knobs and handles
- Focus adjustment by an endless screw mechanism operated by rear knob



Net weight Kg 24 – Gross weight Kg 28 – Box volume m³ 0.240



Net weight Kg 19 – Gross weight Kg 23 – Box volume m³ 0.220

Information for ordering accessories and different versions

Code

- | | |
|------------------------------------|-----------|
| • Combi 50 PC with safety net | COM 50 PC |
| • Combi 50 Fresnel with safety net | COM 50 F |

Accessories

- | | |
|---|------------|
| • Colour filter frame | TC S50 |
| • 4-door rotatable barndoors | PL 4 S50 |
| • Safety bond | FUNE |
| • Theatre C-hook in black painted steel for 30 to 50mm diameter tubes | GAC |
| • TV C-hook in die-cast aluminium (PIVOT DIN adaptor required) | A8 |
| • 29mm / M10 spigot adapter | PIVOT DIN |
| • Aluminium clamp for 50mm diameter tubes | HC / 500 |
| • Colour changing scroller, DMX 512 or 0/10V controlled | on request |

Options

- | | |
|------------------------------|------------|
| • Clear lens for Combi 50 PC | on request |
| • 100-120V lamp version | on request |

Lamps

Film/TV/Theatre (3200 °K)

Type / Order code	CP85
Power (W)	5000
Lampholder	G38
Light-centre/base lamp distance (mm)	165
Luminous flux (Lumen)	135000
Life time (hours)	500
Colour temperature (°K)	3200
Supply voltage (V)	230
Nominal current (Amp.)	21.7

Combi Range - Zoom Profile Spots

General features



The range of Combi Zoom profile spots offer a number of innovative technical solutions and are constructed from a combination aluminium and steel.

This unique design provides a competitive price whilst maintaining the lighting performance and the professional quality of the Figura profile spot of the Sintesi range



Yoke mounted on sliding rails for balancing of accessories and use in any position



Profile spots with access to zoom lenses through two sliding doors



Fine adjustment of light centre length for "peak/flat" projection



Rotation angle of shutters much wider than other models' presently on the market

Technical features

The Combi Zoom profile spots have a mechanical structure with similar features as the Combi Fresnel and PC: rugged construction, shock-proof, long lasting performance, optimum cooling in any operating position and highly safe operation in accordance with EN 60 598-2-17 standards

In addition, they also offer:

- Innovative shutter adjustment system, allowing a rotation angle much wider than normal
- Adjustable lamp base to ensure that both 1000 and 1200 W lamps are centred correctly to the reflector (For spots series 12)
- Micrometric adjustment of the lamp holder provides perfect centering of the lamp and selection of light distribution (peak or flat)
- Zoom lenses are situated on separate rails to provide optimum lens travel, maximum zoom width and smooth operation
- Easy access to the interior of the lantern means easy cleaning of all optical parts
- Fully adjustable yoke mountings, (two vertical and sliding lateral) mean the spot can be balanced and focused in any position without interfering with the shaping shutters
- Easy access to the gobo holder and iris slot, which is covered by a sliding door to avoid light spill, when not in use

Zoom Profile Spots

300/500//650W Halogen

Mod. Combi 05 ZS - Combi 05 ZW

NEW PRODUCT



COMBI 05 ZS

14° to 33° zoom variable profile spot with shaping shutters and slots for Iris/Gobo holder

Lux	19431	4858	2159	1214	777
∅ (m)	0.49	0.98	1.47	1.96	2.46

NARROW BEAM

14°

Dist. (m)	2	4	6	8	10
-----------	---	---	---	---	----

Lux	10650	2663	1183	666	426
∅ (m)	1.18	2.37	3.55	4.74	5.92

WIDE BEAM

33°

Dist. (m)	2	4	6	8	10
-----------	---	---	---	---	----

TESTED WITH LAMP CP89 650W 230V

NEW PRODUCT



COMBI 05 ZW

23° to 40° zoom variable profile spot with shaping shutters and slots for Iris/Gobo holder

Lux	14504	3626	1612	907	580
∅ (m)	0.81	1.63	2.44	3.26	4.07

NARROW BEAM

23°

Dist. (m)	2	4	6	8	10
-----------	---	---	---	---	----

Lux	8388	2097	932	524	336
∅ (m)	4.0	8.1	12.1	16.1	20.2

WIDE BEAM

40°

Dist. (m)	2	4	6	8	10
-----------	---	---	---	---	----

TESTED WITH LAMP CP89 650W 230V

Technical features

Electrical

- Standard 230V, 50/60Hz power supply (others available on request)
- Lamp-holder type GY 9.5
- 2m power supply cable (plug available on request)
- Strain relief cable clamp entry into light housing

Safety

- Safety mesh (optional)
- Filter-frame locking system
- Compliance to CE EN 60598-2-17 standards

Optical

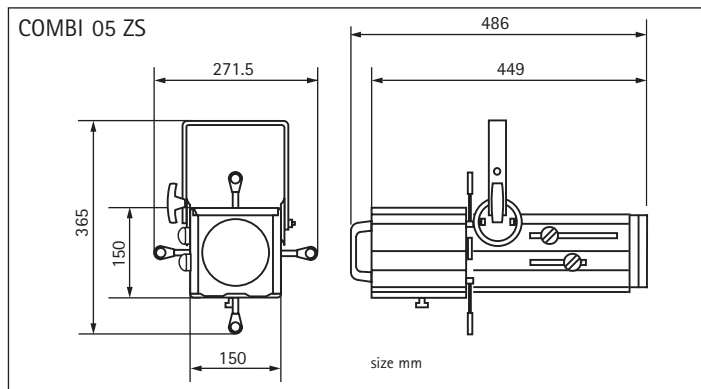
- Independent lens zoom system 14°-33°(ZS) and 23°-40° (ZW)
- Ellipsoidal reflector in 99.99% polished and treated aluminium: 120mm diameter
- 18-leaf iris diaphragm (optional)
- 4 removable shaping shutters mounted between plates specially treated with an anti-abrasive surface
- 90mm optical tempered glass internal lens
- 110mm optical glass internal lens

Mechanical

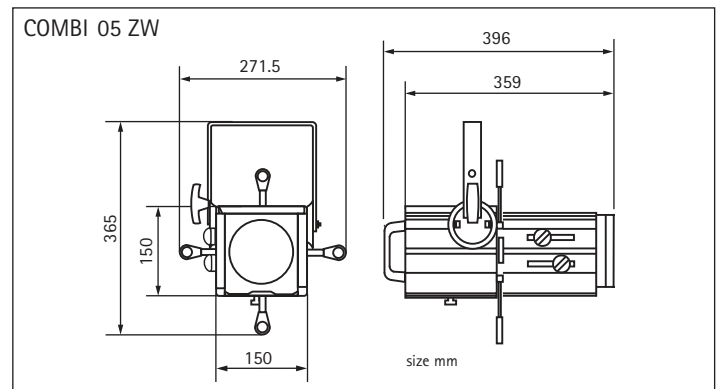
- Extruded aluminium and steel housing
- External black anti-scratch Epoxy Resin paint
- Labyrinth ventilation to avoid light spillage
- Ventilation slots on the rear housing for efficient cooling even in vertical position

Operational

- M and B size gobo holder slots covered by a sliding door to prevent the accessories from falling out and to avoid spill light
- Double sliding door to access lenses for maintenance
- Peak/Even beam setting
- Yoke with 10mm diameter hole, adjustable height, reversible and sliding into extruded rails to balance accessories and for use in any position
- High thermal insulating knobs and handles
- Tilt positioning with fast-locking lever



Net weight Kg 4.8 - Gross weight Kg 5.7 - Box volume m³ 0.038



Net weight Kg 4.5 - Gross weight Kg 5.5 - Box volume m³ 0.034

Information for ordering accessories and different versions

Code

• Combi 05 ZS (14° - 33°)	COM 05 ZS
• Combi 05 ZW (23° - 40°)	COM 05 ZW
Accessories	
• Colour filter frame	TC S05
• Safety mesh	R S05
• Safety bond	FUNE
• Gobo-holder for M size gobos	PGM 100
• Gobo-holder for B size gobos	PGB 100
• Iris diaphragm	DIA 05
• Iris diaphragm with black-out	DIA 05 BO
• Theatre C-hook in black painted steel for 30 to 50mm diameter tubes	GAC
• TV C-hook in die-cast aluminium (PIVOT DIN adaptor required)	A8
• 29mm / M10 spigot adapter	PIVOT DIN
• Aluminium clamp for 50mm diameter tubes	HC / 500
• Superclamp	CLAMP
• Colour changing scroller, DMX 512 or 0/10V controlled	on request
Options	
• 100-120V lamp version	on request

Lamps

Long life (2950 °K)

Theatre (3050 °K)

Film/TV (3200 °K)

Type / Order code	M 38	M 40	T 18	T26	CP 81	CP 82	CP 89
Power (W)	300	500	500	650	300	500	650
Lampholder	GY 9.5	GY 9.5	GY 9.5	GY 9.5	GY 9.5	GY 9.5	GY 9.5
Light-centre/base lamp distance (mm)	46.5	46.5	46.5	46.5	46.5	46.5	46.5
Luminous flux (Lumen)	5200	10000	11000	14500	7800	13500	17500
Life time (hours)	2000	2000	360	600	180	180	180
Colour temperature (°K)	2950	2950	3050	3050	3200	3200	3200
Supply voltage (V)	230	230	230	230	230	230	230
Nominal current (Amp.)	1.3	2.17	2.17	2.8	1.3	2.17	2.8

Zoom Profile Spots

1000/1200W Halogen

Mod. Combi 12 ZS - Combi 12 ZW

NEW PRODUCT



NARROW BEAM

13°

Lux	12530	3133	1392	783	501
∅ (m)	0.91	1.82	2.73	3.65	4.56

Dist. (m)	4	8	12	16	20
-----------	---	---	----	----	----

Lux	4496	1124	500	281	180
∅ (m)	2.52	5.04	7.57	10.09	12.61

Dist. (m)	4	8	12	16	20
-----------	---	---	----	----	----

TESTED WITH LAMP CP90 1200W 230V



COMBI 12 ZS

13° to 35° zoom variable profile spot with shaping shutters and slots for Iris/Gobo holder

NEW PRODUCT



NARROW BEAM

24°

Lux	9233	2308	1026	577	369
∅ (m)	0.81	1.63	2.44	3.26	4.07

Dist. (m)	4	8	12	16	20
-----------	---	---	----	----	----

Lux	2835	709	315	177	113
∅ (m)	3.73	7.46	11.19	14.92	18.65

Dist. (m)	4	8	12	16	20
-----------	---	---	----	----	----

TESTED WITH LAMP CP90 1200W 230V



COMBI 12 ZW

24° to 50° zoom variable profile spot with shaping shutters and slots for Iris/Gobo holder

Technical features

Electrical

- Standard 230V, 50/60Hz power supply (others available on request)
- Lamp-holder type GX 9.5
- 2m power supply cable (plug available on request)
- Strain relief cable clamp entry into light housing

Safety

- Safety mesh (optional)
- Filter-frame locking system
- Compliance to CE EN 60598-2-17 standards

Optical

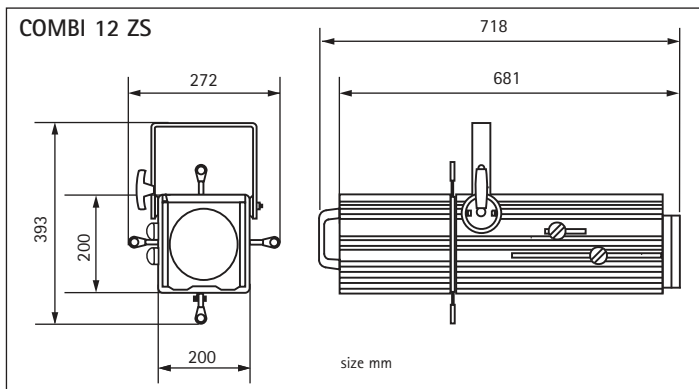
- Independent lens zoom system 13°-35°(ZS) and 24°-50° (ZW)
- Ellipsoidal reflector in 99.99% polished and treated aluminium: 150mm diameter
- 18-leaf iris diaphragm (optional)
- 4 removable shaping shutters mounted between plates specially treated with an anti-abrasive surface
- 110mm optical tempered glass internal lens
- 150mm optical glass internal lens

Mechanical

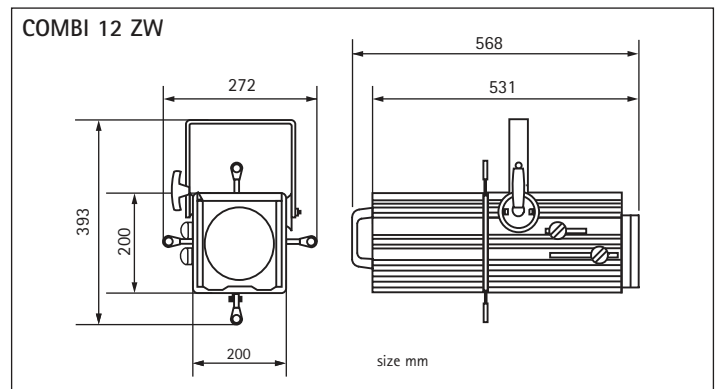
- Extruded aluminium and steel housing
- External black anti-scratch Epoxy Resin paint
- Labyrinth ventilation to avoid light spillage
- Ventilation slots on the rear housing for efficient cooling even in vertical position

Operational

- B size gobo holder slots covered by a sliding door to prevent the accessories from falling out and to avoid spill light
- Double sliding door to access lenses for maintenance
- Peak/Even beam setting and fine adjustment of lamp-to-mirror position for 1000/1200W lamps
- Yoke with 10mm diameter hole, adjustable height, reversible and sliding into extruded rails to balance accessories and for use in any position
- High thermal insulating knobs and handles
- Tilt positioning with fast-locking lever



Net weight Kg 9.8 – Gross weight Kg 11.5 – Box volume m³ 0.086



Net weight Kg 9.1 – Gross weight Kg 10.7 – Box volume m³ 0.070

Information for ordering accessories and different versions

Code

• Combi 12 ZS (13°- 35°)	COM 12 ZS
• Combi 12 ZW (24°- 50°)	COM 12 ZW
Accessories	
• Colour filter frame	TC S12
• Safety mesh	R S12
• Safety bond	FUNE
• Gobo-holder for B size gobos	PGB 130
• Iris diaphragm	DIA 10
• Iris diaphragm with black-out	DIA 10 BO
• Theatre C-hook in black painted steel for 30 to 50mm diameter tubes	GAC
• TV C-hook in die-cast aluminium (PIVOT DIN adaptor required)	A8
• 29mm / M10 spigot adapter	PIVOT DIN
• Aluminium clamp for 50mm diameter tubes	HC / 500
• Superclamp	CLAMP
• Colour changing scroller, DMX 512 or 0/10V controlled	on request
Options	
• 100-120V lamp version	on request

Lamps

Theatre (3050 °K)

Film/TV (3200 °K)

Type / Order code	T21	T19	T29	CP67	CP70	CP90	CP63
Power (W)	650	1000	1200	650	1000	1200	1000
Lampholder	GX9.5	GX9.5	GX9.5	GX9.5	GX9.5	GX9.5	GX9.5
Light-centre/base lamp distance (mm)	55	55	67	55	55	67	55
Luminous flux (Lumen)	13000	21500	27600	16500	25000	30000	Reflector
Life time (hours)	900	750	480	400	200	240	180
Colour temperature (°K)	3050	3050	3050	3200	3200	3200	3200
Supply voltage (V)	230	230	230	230	230	230	230
Nominal current (Amp.)	2.8	4.3	5.2	2.8	4.3	5.2	4.3

Zoom Profile Spots

2000/2500W Halogen

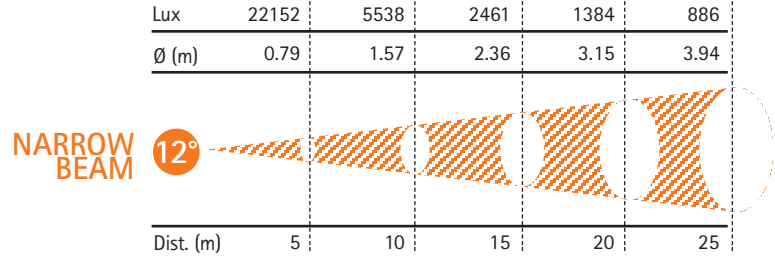
Mod. Combi 25 ZM - Combi 25 ZW

NEW PRODUCT



COMBI 25 ZM

12° to 25° zoom variable profile spot with shaping shutters and slots for Iris/Gobo holder



Dist. (m) 5 10 15 20 25

Lux	8028	2007	892	502	321
∅ (m)	2.22	4.43	6.65	8.87	11.08

WIDE BEAM 25°

Dist. (m) 5 10 15 20 25

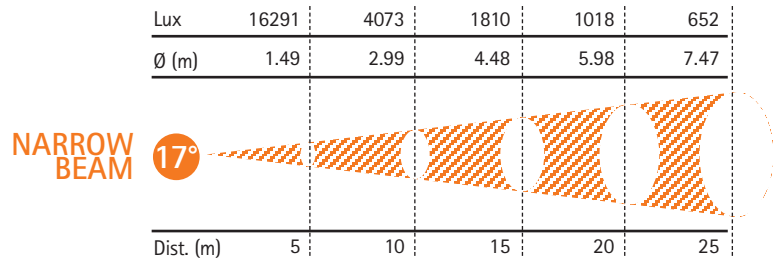
TESTED WITH LAMP CP91 2500W 230V

NEW PRODUCT



COMBI 25 ZW

17° to 36° zoom variable profile spot with shaping shutters and slots for Iris/Gobo holder



Dist. (m) 5 10 15 20 25

Lux	4270	1068	474	267	171
∅ (m)	3.25	6.50	9.75	13.00	16.25

WIDE BEAM 36°

Dist. (m) 5 10 15 20 25

TESTED WITH LAMP CP91 2500W 230V

Technical features

Electrical

- Standard 230V, 50/60Hz power supply (others available on request)
- Lamp-holder type GX 9.5
- 2m power supply cable (plug available on request)
- Strain relief cable clamp entry into light housing

Safety

- Safety mesh (optional)
- Filter-frame locking system
- Compliance to CE EN 60598-2-17 standards

Optical

- Independent lens zoom system 12°-25°(ZM) and 17°-36° (ZW)
- Ellipsoidal reflector in 99.99% polished and treated aluminium: 150mm diameter
- 18-leaf iris diaphragm (optional)
- 4 removable shaping shutters mounted between plates specially treated with an anti-abrasive surface
- 150mm optical tempered glass internal lens
- 230mm optical glass internal lens

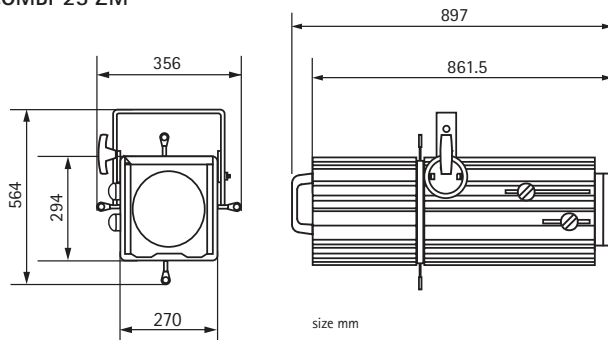
Mechanical

- Extruded aluminium and steel housing
- External black anti-scratch Epoxy Resin paint
- Labyrinth ventilation to avoid light spillage
- Ventilation slots on the rear housing for efficient cooling even in vertical position

Operational

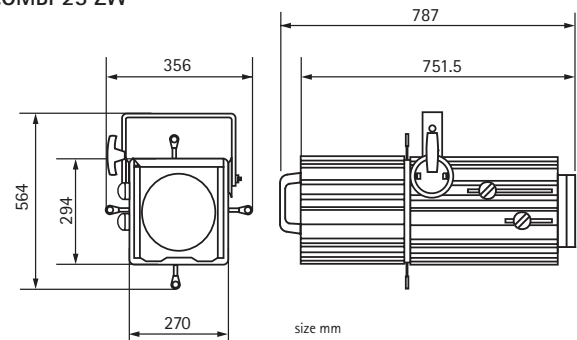
- A and B size gobo holder slots covered by a sliding door to prevent the accessories from falling out and to avoid spill light
- Double sliding door to access lenses for maintenance
- Peak/Even beam setting
- Yoke with 10mm diameter hole, adjustable height, reversible and sliding into extruded rails to balance accessories and for use in any position
- High thermal insulating knobs and handles
- Tilt positioning with fast-locking lever

COMBI 25 ZM



Net weigh Kg 25.1 – Gross weight Kg 30.4 – Box volume m³ 0.230

COMBI 25 ZW



Net weigh Kg 21.3 – Gross weight Kg 27.8 – Box volume m³ 0.230

Information for ordering accessories and different versions

Code

• Combi 25 ZM (12°- 25°)	COM 25 ZM
• Combi 25 ZW (17°- 36°)	COM 25 ZW
Accessories	
• Colour filter frame	TC S25
• Safety mesh	R S25
• Safety bond	FUNE
• Gobo-holder for B size gobos	PGB 185
• Gobo-holder for A size gobos	PGA 185
• Iris diaphragm	DIA 20
• Iris diaphragm with black-out	DIA 20 BO
• Theatre C-hook in black painted steel for 30 to 50mm diameter tubes	GAC
• TV C-hook in die-cast aluminium (PIVOT DIN adaptor required)	A8
• 29mm / M10 spigot adapter	PIVOT DIN
• Aluminium clamp for 50mm diameter tubes	HC / 500
• Superclamp	CLAMP
• Colour changing scroller, DMX 512 or 0/10V controlled	on request
Options	
• 100-120V lamp version	on request
• GY 16 lampholder version	on request

Lamps

FilmTV/Theatre (3200 °K)

Type / Order code	CP75	CP92	CP91	CP72 on request
Power (W)	2000	2000	2500	2000
Lampholder	G22	G22	G22	GY16
Light-centre/base lamp distance (mm)	75	90	90	70
Luminous flux (Lumen)	52000	52000	65000	50000
Life time (hours)	480	400	450	480
Colour temperature (°K)	3200	3200	3200	3200
Supply voltage (V)	230	230	230	230
Nominal current (Amp.)	8.6	8.6	10.8	8.6

Spotlight reserve the right to change specification without prior notice

SPOTLIGHT SRL

VIA SARDEGNA, 3
20098 S. GIULIANO MILANESE - ITALY
PHONE +39.02.98.83.055
FAX +39.02.98.83.056
E-MAIL: SALES@SPOTLIGHT.IT
WEB: WWW.SPOTLIGHT.IT

Your Dealer



SPOTLIGHT  

professional lighting for the performing arts

certified quality management system ISO 9001:2000